

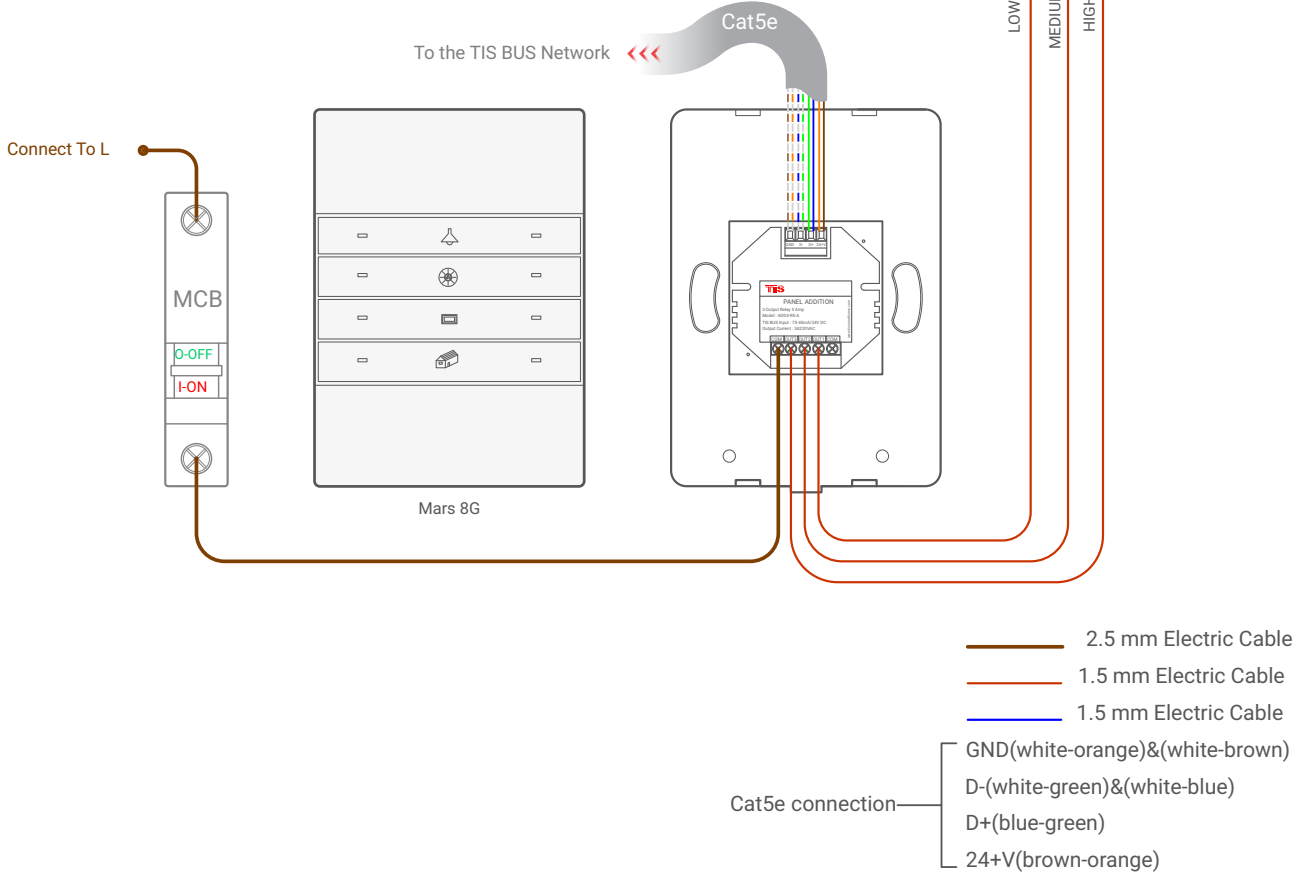
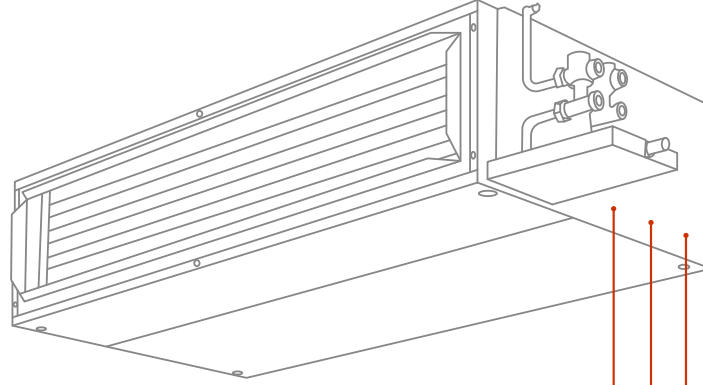
▲ Mars 8G ve ADD-3R-5A Aydınlatma Bağlantı Diyagramı

TIS MARS 8G PANEL

8 Butonlu Panel

Model: MRS-8G

TIS



▲ Mars 8G ve ADD-3R-5A FCU Bağlantı Diyagramı

TIS

Copyright © 2020 TIS, All Rights Reserved

TIS Logo is a Registered Trademark of Texas Intelligent System LLC in the United States of America. This company takes TIS Control Ltd. in other countries. All of the Specifications are subject to change without notice.

TEXAS INTELLIGENT SYSTEM LLC

SUITE# 610, 860 NORTH DOROTHY DR
RICHARDSON
TX 75081.USA

TIS CONTROL TÜRKİYE

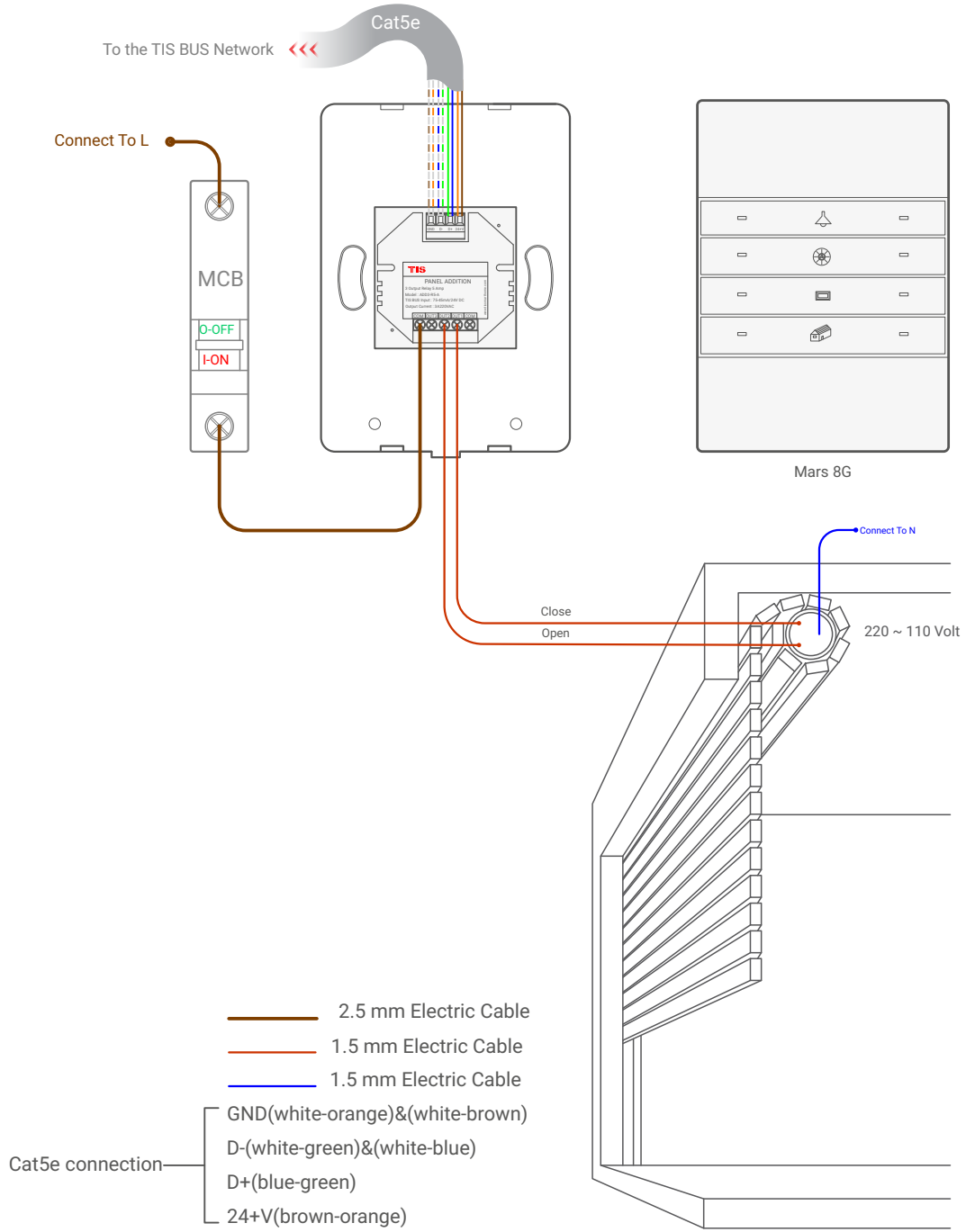
DEMİRCİKARA MAH. B. ONAT CAD.
1419.SK OCEAN CITY SİTESİ B BLOK
KAT:2 D:3 MURATPAŞA/ANTALYA

TIS MARS 8G PANEL

8 Butonlu Panel

Model: MRS-8G

TIS



▲ Mars 8G ve ADD-3R-5A Motor Bağlantı Diyagramı

TIS

Copyright © 2020 TIS, All Rights Reserved

TIS Logo is a Registered Trademark of Texas Intelligent System LLC in the United States of America. This company takes TIS Control Ltd. in other countries. All of the Specifications are subject to change without notice.

TEXAS INTELLIGENT SYSTEM LLC

SUITE# 610, 860 NORTH DOROTHY DR
RICHARDSON
TX 75081.USA

TIS CONTROL TÜRKİYE

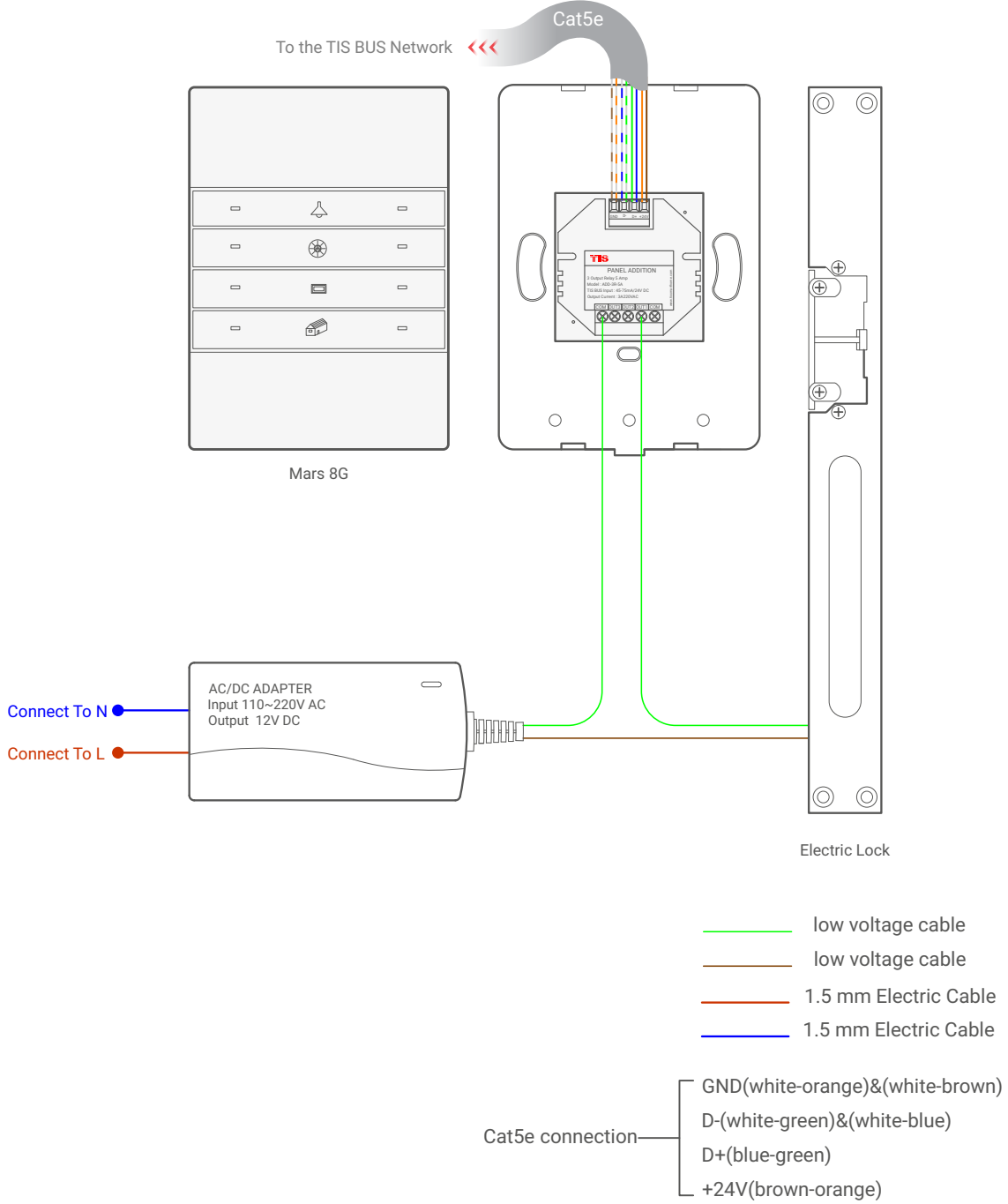
DEMİRCİKARA MAH. B. ONAT CAD.
1419.SK OCEAN CITY SİTESİ B BLOK
KAT:2 D:3 MURATPAŞA/ANTALYA

TIS MARS 8G PANEL

8 Butonlu Panel

Model: MRS-8G

TIS



▲ Mars 8G ve ADD-3R-5A Elektrik Kilidi Bağlantı Diyagramı

TIS

Copyright © 2020 TIS, All Rights Reserved
TIS Logo is a Registered Trademark of Texas Intelligent System LLC in the United States of America. This company takes TIS Control Ltd. in other countries. All of the Specifications are subject to change without notice.

TEXAS INTELLIGENT SYSTEM LLC
SUITE# 610, 860 NORTH DOROTHY DR
RICHARDSON
TX 75081,USA

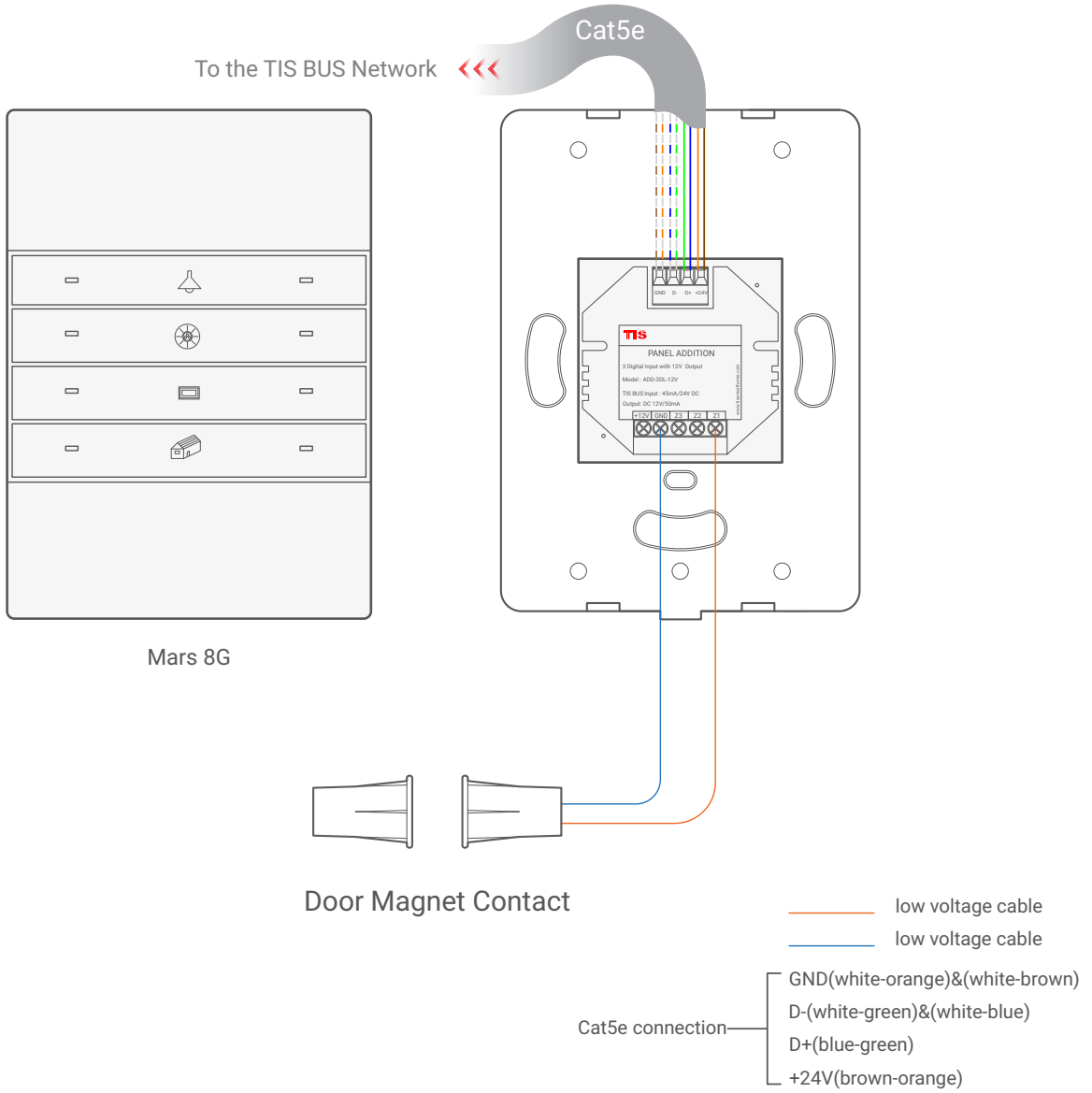
TIS CONTROL TÜRKİYE
DEMİRCİKARA MAH. B. ONAT CAD.
1419.SK OCEAN CITY SİTESİ B BLOK
KAT:2 D:3 MURATPAŞA/ANTALYA

TIS MARS 8G PANEL

8 Butonlu Panel

Model: MRS-8G

TIS



▲ Mars 8G ve ADD-3DL-12V Manyetik Kontak Kapı Bağlantı Diyagramı

TIS

Copyright © 2020 TIS, All Rights Reserved
TIS Logo is a Registered Trademark of Texas Intelligent System LLC in the United States of America. This company takes TIS Control Ltd. in other countries. All of the Specifications are subject to change without notice.

TEXAS INTELLIGENT SYSTEM LLC
SUITE# 610, 860 NORTH DOROTHY DR
RICHARDSON
TX 75081.USA

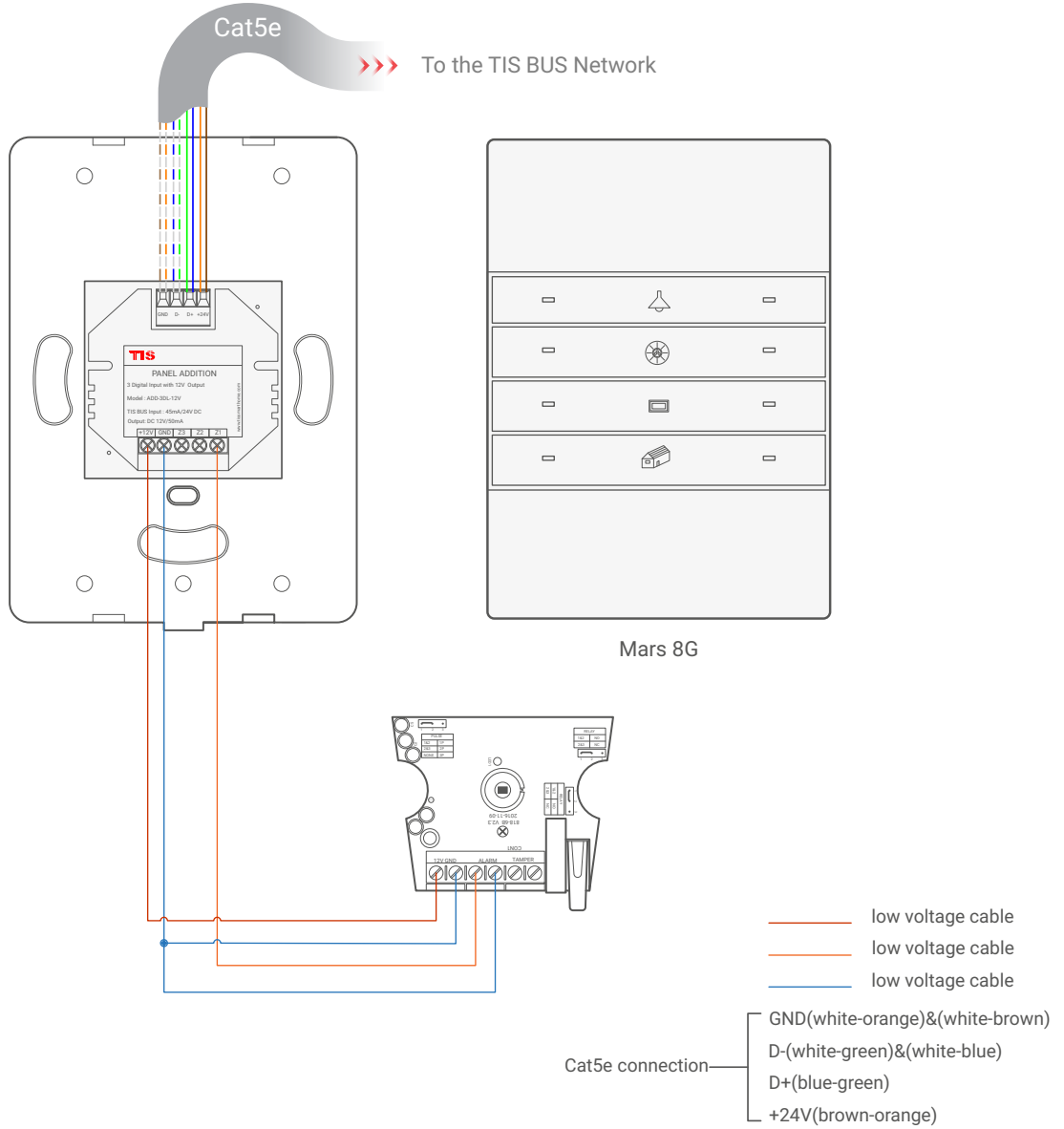
TIS CONTROL TÜRKİYE
DEMİRCİKARA MAH. B. ONAT CAD.
1419.SK OCEAN CITY SİTESİ B BLOK
KAT:2 D:3 MURATPAŞA/ANTALYA

TIS MARS 8G PANEL

8 Butonlu Panel

Model: MRS-8G

TIS



▲ Mars 8G ve ADD-3DL-12V Harici Sensör Bağlantı Diyagramı

TIS

Copyright © 2020 TIS. All Rights Reserved
TIS Logo is a Registered Trademark of Texas Intelligent System LLC in the United States of America. This company takes TIS Control Ltd. in other countries. All of the Specifications are subject to change without notice.

TEXAS INTELLIGENT SYSTEM LLC
SUITE# 610. 860 NORTH DOROTHY DR
RICHARDSON
TX 75081.USA

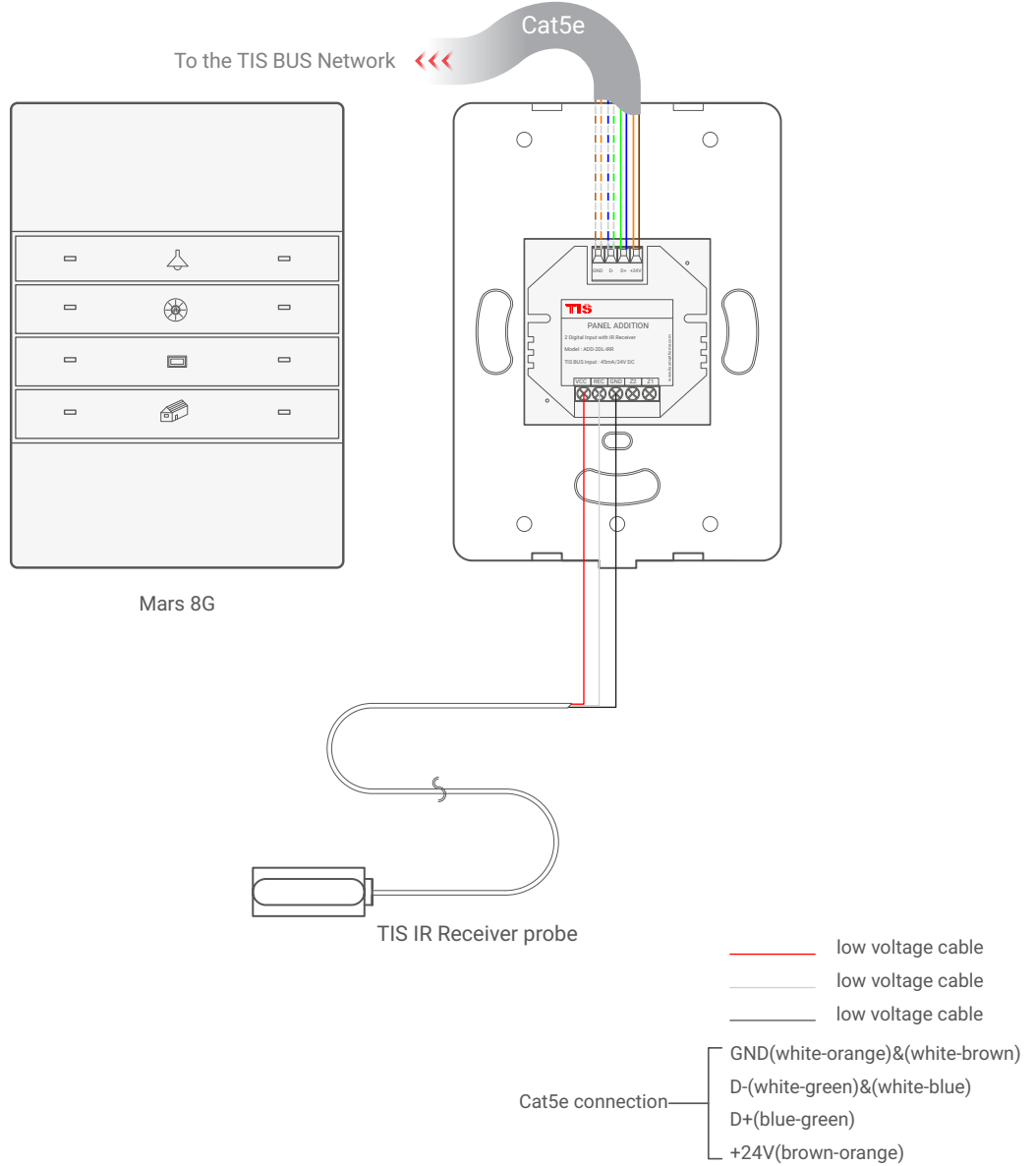
TIS CONTROL TÜRKİYE
DEMİRCİKARA MAH. B. ONAT CAD.
1419.SK OCEAN CITY SİTESİ B BLOK
KAT:2 D:3 MURATPAŞA/ANTALYA

TIS MARS 8G PANEL

8 Butonlu Panel

Model: MRS-8G

TIS



▲ Mars 8G ve ADD-2DL-IRR Alıcı Göz Bağlantı Formu

TIS

Copyright © 2020 TIS, All Rights Reserved
TIS Logo is a Registered Trademark of Texas Intelligent System LLC in the United States of America. This company takes TIS Control Ltd. in other countries. All of the Specifications are subject to change without notice.

TEXAS INTELLIGENT SYSTEM LLC
SUITE# 610. 860 NORTH DOROTHY DR
RICHARDSON
TX 75081.USA

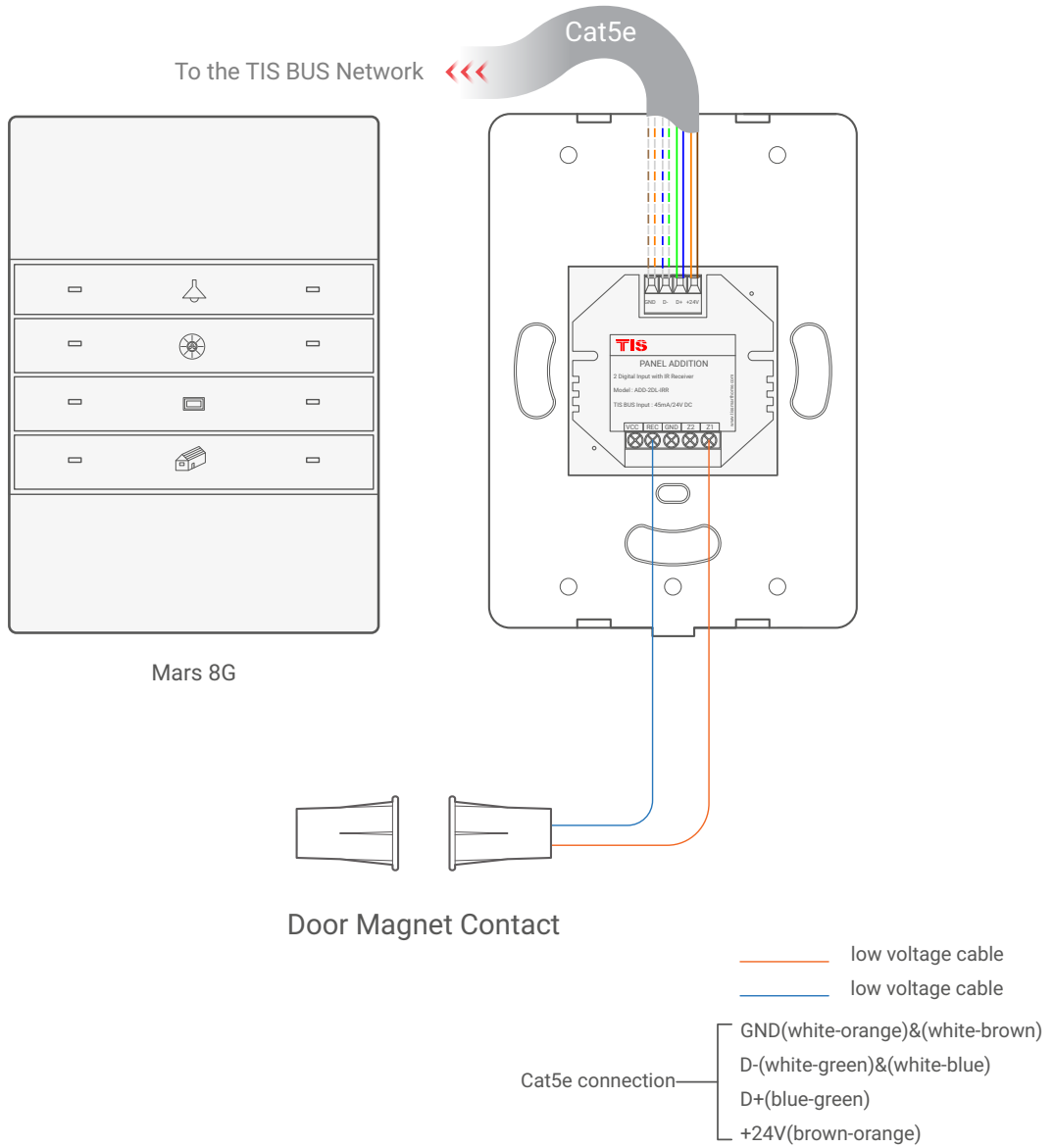
TIS CONTROL TÜRKİYE
DEMİRCİKARA MAH. B. ONAT CAD.
1419.SK OCEAN CITY SİTESİ B BLOK
KAT:2 D:3 MURATPAŞA/ANTALYA

TIS MARS 8G PANEL

8 Butonlu Panel

Model: MRS-8G

TIS



▲ Mars 8G ve ADD-2DL-IRR Manyetik Kontak Kapı Bağlantı Diyagramı

TIS

Copyright © 2020 TIS, All Rights Reserved
TIS Logo is a Registered Trademark of Texas Intelligent System LLC in the United States of America. This company takes TIS Control Ltd. in other countries. All of the Specifications are subject to change without notice.

TEXAS INTELLIGENT SYSTEM LLC
SUITE# 610, 860 NORTH DOROTHY DR
RICHARDSON
TX 75081.USA

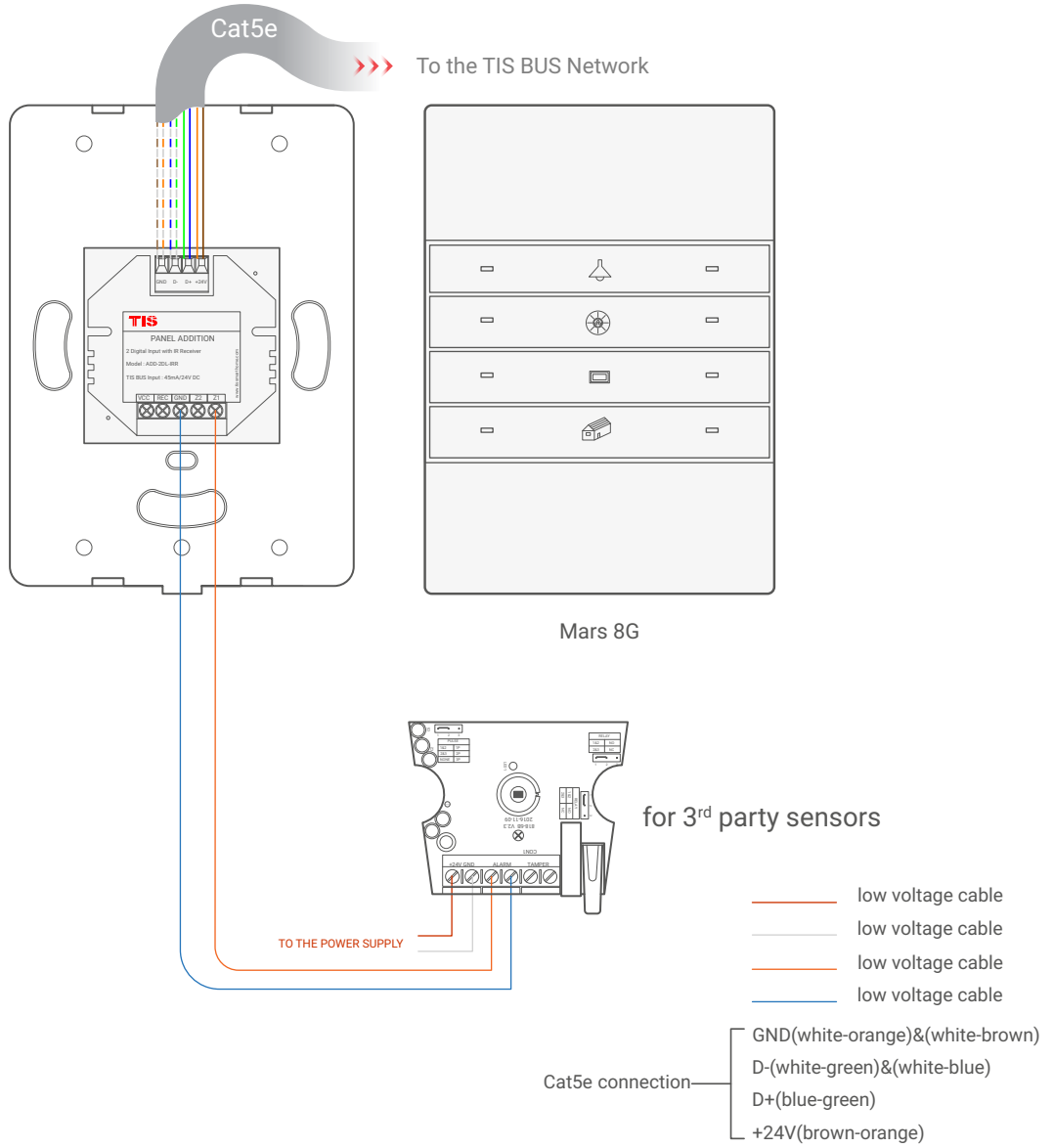
TIS CONTROL TÜRKİYE
DEMİRCİKARA MAH. B. ONAT CAD.
1419.SK OCEAN CITY SİTESİ B BLOK
KAT:2 D:3 MURATPAŞA/ANTALYA

TIS MARS 8G PANEL

8 Butonlu Panel

Model: MRS-8G

TIS



▲ Mars 8G ve ADD-2DL-IRR Harici Sensör Bağlantı Diyagramı

TIS

Copyright © 2020 TIS, All Rights Reserved

TIS Logo is a Registered Trademark of Texas Intelligent System LLC in the United States of America. This company takes TIS Control Ltd. in other countries. All of the Specifications are subject to change without notice.

TEXAS INTELLIGENT SYSTEM LLC

SUITE# 610, 860 NORTH DOROTHY DR
RICHARDSON
TX 75081,USA

TIS CONTROL TÜRKİYE

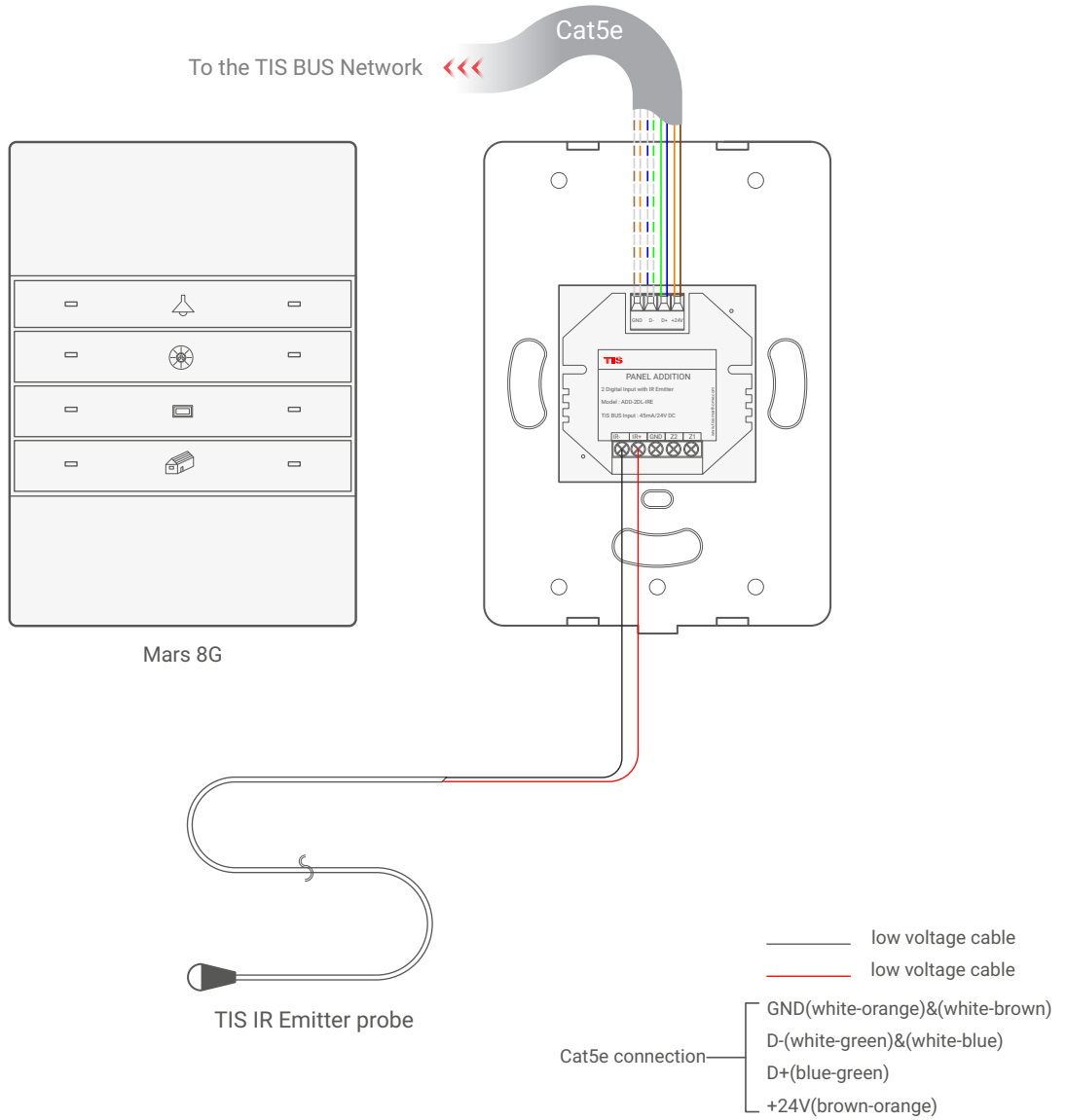
DEMİRCİKARA MAH. B. ONAT CAD.
1419.SK OCEAN CITY SİTESİ B BLOK
KAT:2 D:3 MURATPAŞA/ANTALYA

TIS MARS 8G PANEL

8 Butonlu Panel

Model: MRS-8G

TIS



▲ Mars 8G ve ADD-2DL-IRE Verici Göz Bağlantı Diyagramı

TIS

Copyright © 2020 TIS, All Rights Reserved
TIS Logo is a Registered Trademark of Texas Intelligent System LLC in the United States of America. This company takes TIS Control Ltd. in other countries. All of the Specifications are subject to change without notice.

TEXAS INTELLIGENT SYSTEM LLC
SUITE# 610. 860 NORTH DOROTHY DR
RICHARDSON
TX 75081.USA

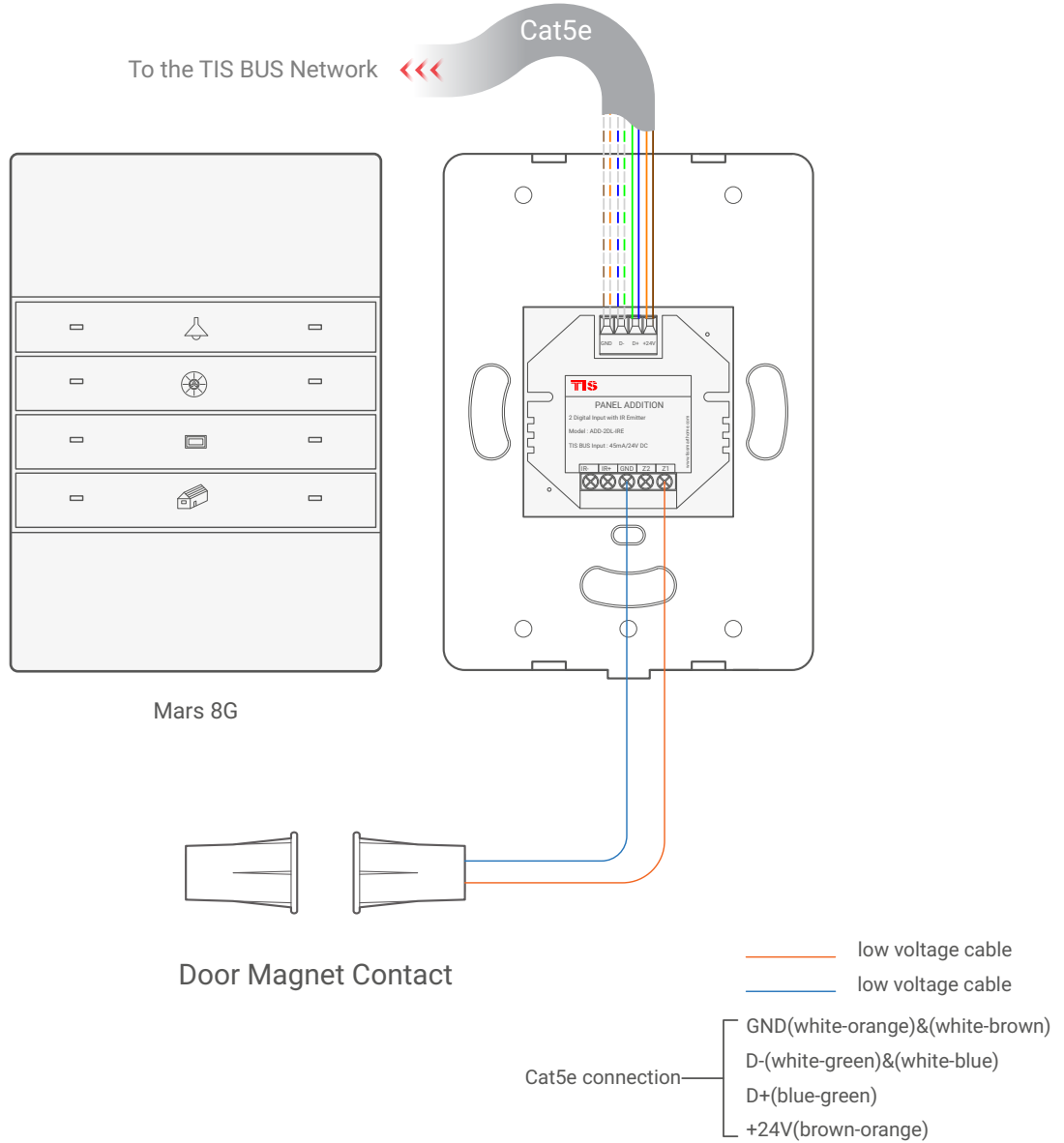
TIS CONTROL TÜRKİYE
DEMİRCİKARA MAH. B. ONAT CAD.
1419.SK OCEAN CITY SİTESİ B BLOK
KAT:2 D:3 MURATPAŞA/ANTALYA

TIS MARS 8G PANEL

8 Butonlu Panel

Model: MRS-8G

TIS



▲ Mars 8G ve ADD-2DL-IRE Manyetik Kontak Kapı Bağlantı Diyagramı

TIS

Copyright © 2020 TIS, All Rights Reserved
TIS Logo is a Registered Trademark of Texas Intelligent System LLC in the United States of America. This company takes TIS Control Ltd. in other countries. All of the Specifications are subject to change without notice.

TEXAS INTELLIGENT SYSTEM LLC
SUITE# 610, 860 NORTH DOROTHY DR
RICHARDSON
TX 75081.USA

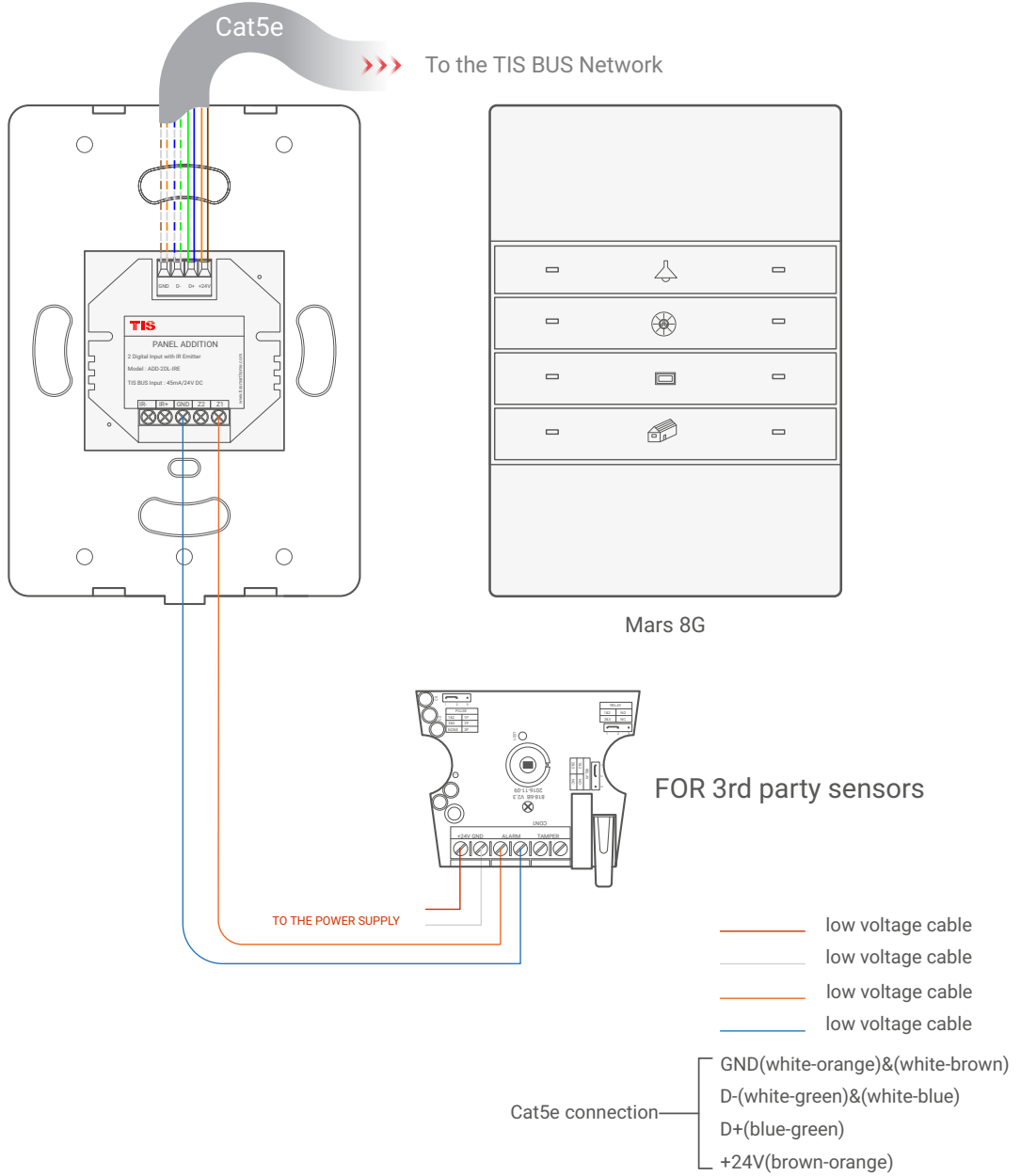
TIS CONTROL TÜRKİYE
DEMİRCİKARA MAH. B. ONAT CAD.
1419.SK OCEAN CITY SİTESİ B BLOK
KAT:2 D:3 MURATPAŞA/ANTALYA

TIS MARS 8G PANEL

8 Butonlu Panel

Model: MRS-8G

TIS



▲ Mars 8G ve ADD-2DL-IRE Harici Sensör Bağlantı Diyagramı

TIS

Copyright © 2020 TIS, All Rights Reserved

TIS Logo is a Registered Trademark of Texas Intelligent System LLC in the United States of America. This company takes TIS Control Ltd. in other countries. All of the Specifications are subject to change without notice.

TEXAS INTELLIGENT SYSTEM LLC

SUITE# 610, 860 NORTH DOROTHY DR
RICHARDSON
TX 75081.USA

TIS CONTROL TÜRKİYE

DEMİRCİKARA MAH. B. ONAT CAD.
1419.SK OCEAN CITY SİTESİ B BLOK
KAT:2 D:3 MURATPASA/ANTALYA

TIS MARS 8G PANEL

8 Butonlu Panel

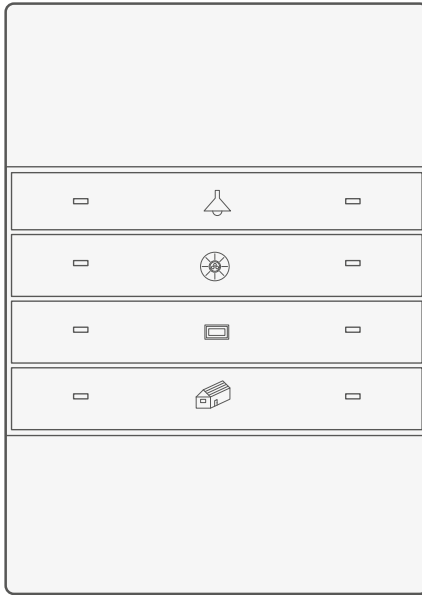
Model: MRS-8G

TIS

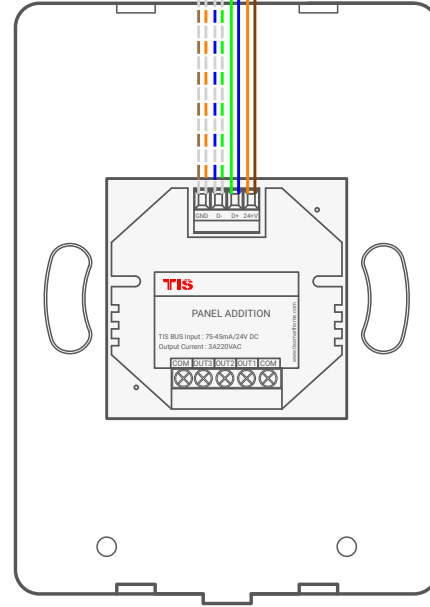


To the TIS BUS Network <<<<

Cat5e



Mars 8G



Cat5e connection

- GND(white-orange)&(white-brown)
- D-(white-green)&(white-blue)
- D+(blue-green)
- +24V(brown-orange)

▲ Bus Bağlantı Renk Kodları

TIS

Copyright © 2020 TIS, All Rights Reserved

TIS Logo is a Registered Trademark of Texas Intelligent System LLC in the United States of America. This company takes TIS Control Ltd. in other countries. All of the Specifications are subject to change without notice.

TEXAS INTELLIGENT SYSTEM LLC

SUITE# 610, 860 NORTH DOROTHY DR
RICHARDSON
TX 75081.USA

TIS CONTROL TÜRKİYE

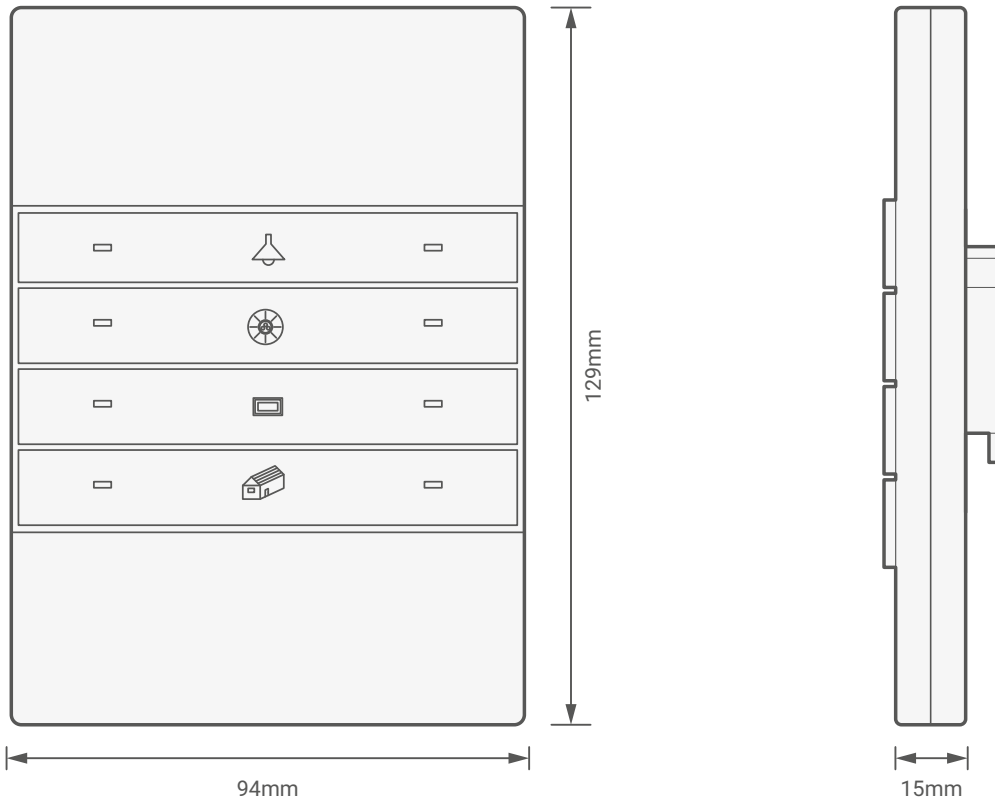
DEMİRCİKARA MAH. B. ONAT CAD.
1419.SK OCEAN CITY SİTESİ B BLOK
KAT:2 D:3 MURATPAŞA/ANTALYA

TIS MARS 8G PANEL

8 Butonlu Panel

Model: MRS-8G

TIS



▲ Modül Boyutları

TIS

Copyright © 2020 TIS, All Rights Reserved
TIS Logo is a Registered Trademark of Texas Intelligent System LLC in the United States of America. This company takes TIS Control Ltd. in other countries. All of the Specifications are subject to change without notice.

TEXAS INTELLIGENT SYSTEM LLC
SUITE# 610, 860 NORTH DOROTHY DR
RICHARDSON
TX 75081,USA

TIS CONTROL TÜRKİYE
DEMİRCİKARA MAH. B. ONAT CAD.
1419.SK OCEAN CITY SİTESİ B BLOK
KAT:2 D:3 MURATPAŞA/ANTALYA