

Connect to power supply 24V DC

- Audio Cable
- Low voltage cable
- Low voltage cable

Cat5e connection  
D-(white-green)&(white-blue)  
D+(blue-green)

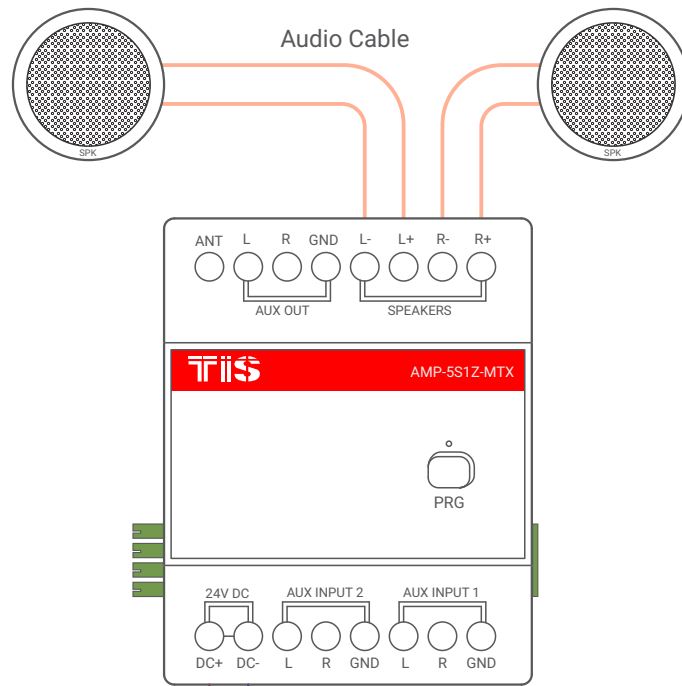
▲ Tavana Monte Hoparlör Bağlantı Diyagramı (Seri Devre)

# TIS SES SİSTEMİ

Oynatıcı / Amfili 5 Kaynaklı Ses Oynatıcısı

Model: AMP-5S1Z-MTX

# TIS



Connect to power supply 24V DC

- Audio Cable
- Low voltage cable
- Low voltage cable

Cat5e connection [ D-(white-green)&(white-blue)  
D+(blue-green)

## ▲ Tavana Monte Hoparlör Bağlantı Diyagramı (Paralel Devre)

# TIS

Copyright © 2020 TIS, All Rights Reserved

TIS Logo is a Registered Trademark of Texas Intelligent System LLC in the United States of America. This company takes TIS Control Ltd. in other countries. All of the Specifications are subject to change without notice.

TEXAS INTELLIGENT SYSTEM LLC

SUITE# 610, 860 NORTH DOROTHY DR  
RICHARDSON  
TX 75081,USA

TIS CONTROL TÜRKİYE

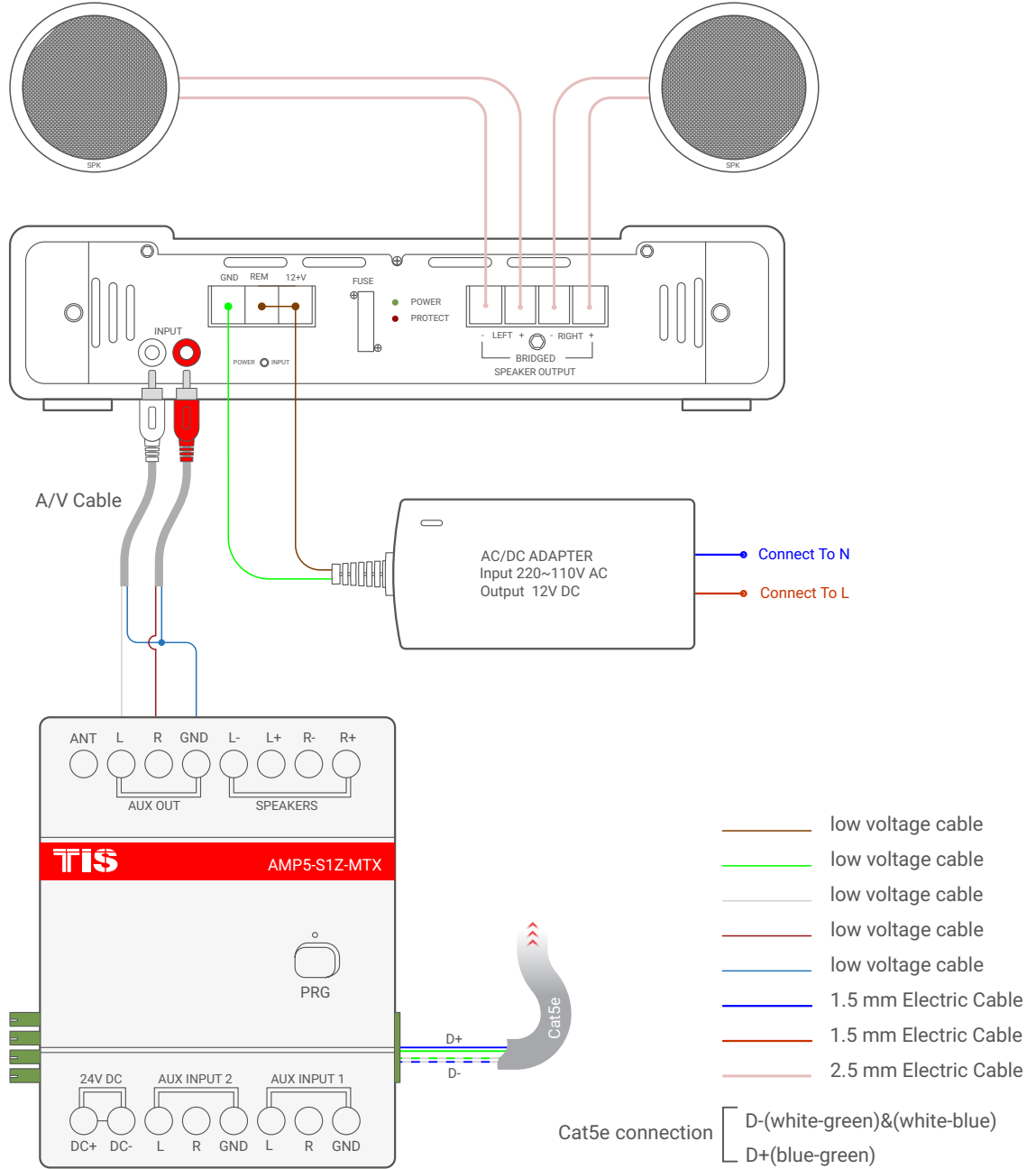
DEMİRCİKARA MAH. B. ONAT CAD.  
1419.SK OCEAN CITY SİTESİ B BLOK  
KAT:2 D:3 MURATPAŞA/ANTALYA

# TIS SES SİSTEMİ

Oynatıcı / Amfli 5 Kaynaklı Ses Oynatıcısı

Model: AMP-5S1Z-MTX

# TIS



## ▲ AMP-5S1Z-MTX ve Amfi Bağlantı Diyagramı

# TIS

Copyright © 2020 TIS, All Rights Reserved  
TIS Logo is a Registered Trademark of Texas Intelligent System LLC in the United States of America. This company takes TIS Control Ltd. in other countries. All of the Specifications are subject to change without notice.

TEXAS INTELLIGENT SYSTEM LLC  
SUITE# 610, 860 NORTH DOROTHY DR  
RICHARDSON  
TX 75081.USA

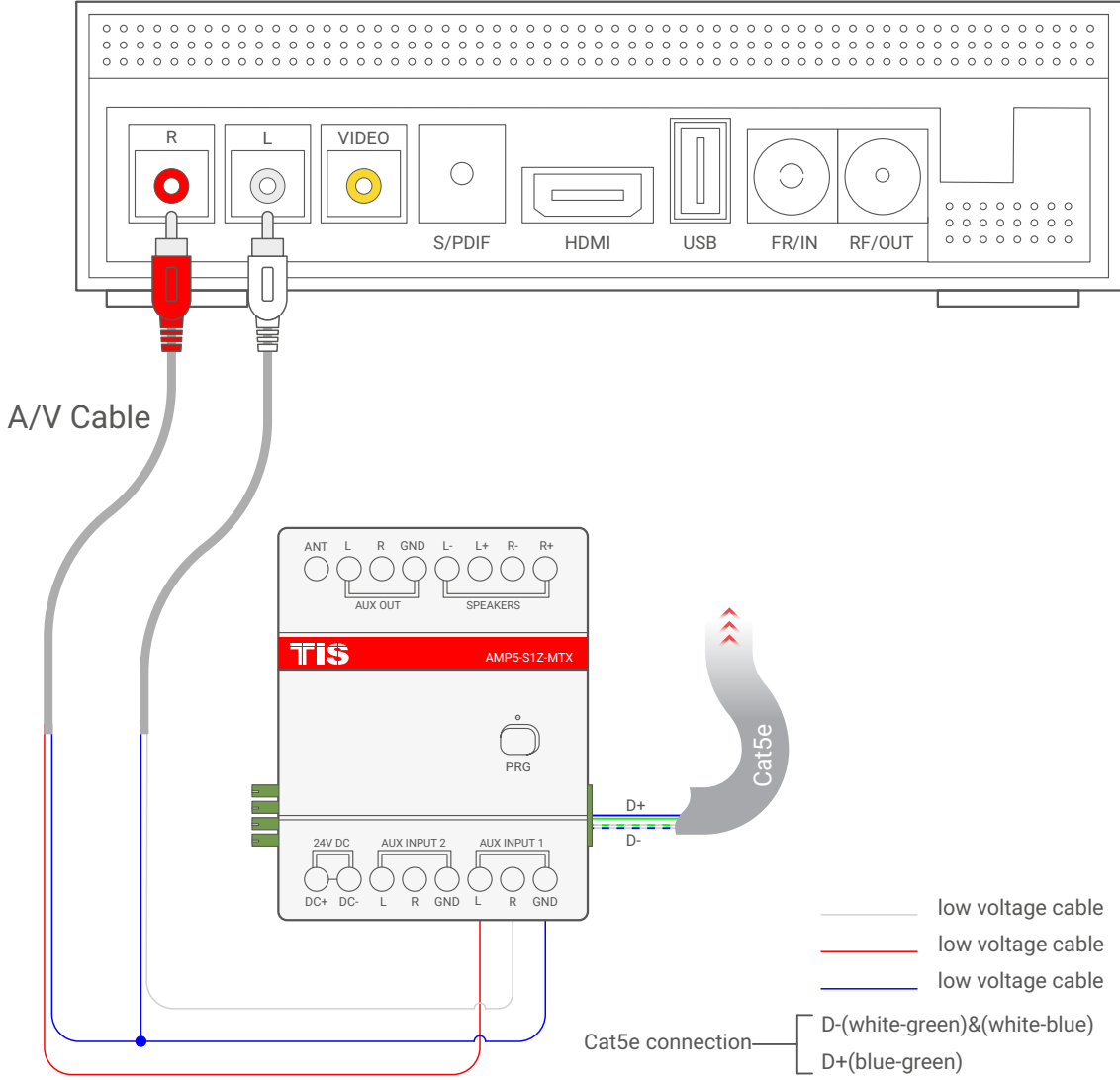
TIS CONTROL TÜRKİYE  
DEMİRCİKARA MAH. B. ONAT CAD.  
1419.SK OCEAN CITY SİTESİ B BLOK  
KAT:2 D:3 MURATPAŞA/ANTALYA

# TIS SES SİSTEMİ

Oynatıcı / Amfli 5 Kaynaklı Ses Oynatıcısı

Model: AMP-5S1Z-MTX

# TIS



## ▲ AMP-5S1Z-MTX ve A/V Alıcı Bağlantı Diyagramı

# TIS

Copyright © 2020 TIS, All Rights Reserved  
TIS Logo is a Registered Trademark of Texas Intelligent System LLC in the United States of America. This company takes TIS Control Ltd. in other countries. All of the Specifications are subject to change without notice.

TEXAS INTELLIGENT SYSTEM LLC  
SUITE# 610. 860 NORTH DOROTHY DR  
RICHARDSON  
TX 75081.USA

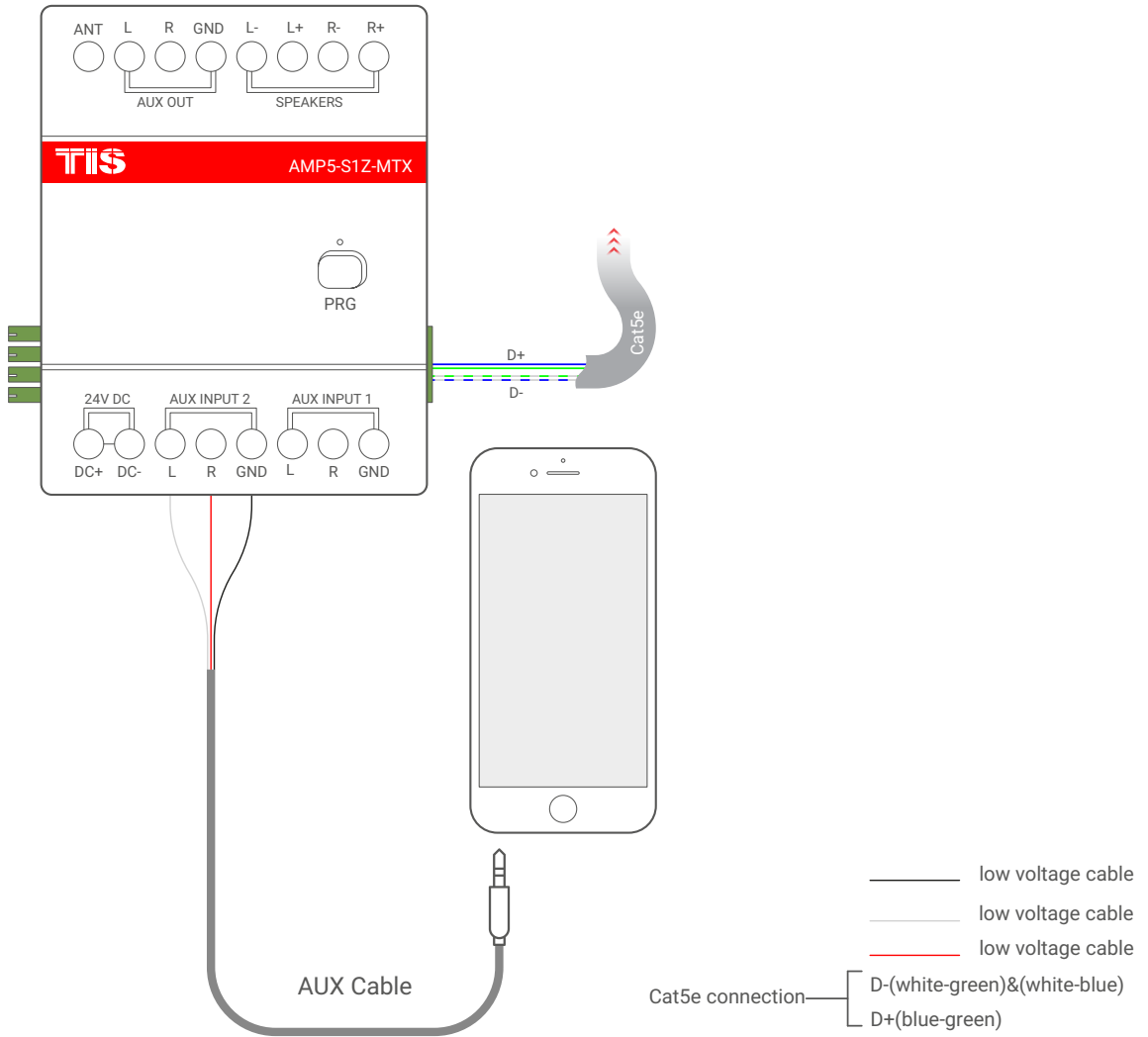
TIS CONTROL TÜRKİYE  
DEMİRCİKARA MAH. B. ONAT CAD.  
1419.SK OCEAN CITY SİTESİ B BLOK  
KAT:2 D:3 MURATPAŞA/ANTALYA

# TIS SES SİSTEMİ

Oynatıcı / Ampli 5 Kaynaklı Ses Oynatıcısı

Model: AMP-5S1Z-MTX

# TIS



## ▲ AUX Kablosu Bağlantı Diyagramı

# TIS

Copyright © 2020 TIS, All Rights Reserved  
TIS Logo is a Registered Trademark of Texas Intelligent System LLC in the United States of America. This company takes TIS Control Ltd. in other countries. All of the Specifications are subject to change without notice.

TEXAS INTELLIGENT SYSTEM LLC  
SUITE# 610. 860 NORTH DOROTHY DR  
RICHARDSON  
TX 75081.USA

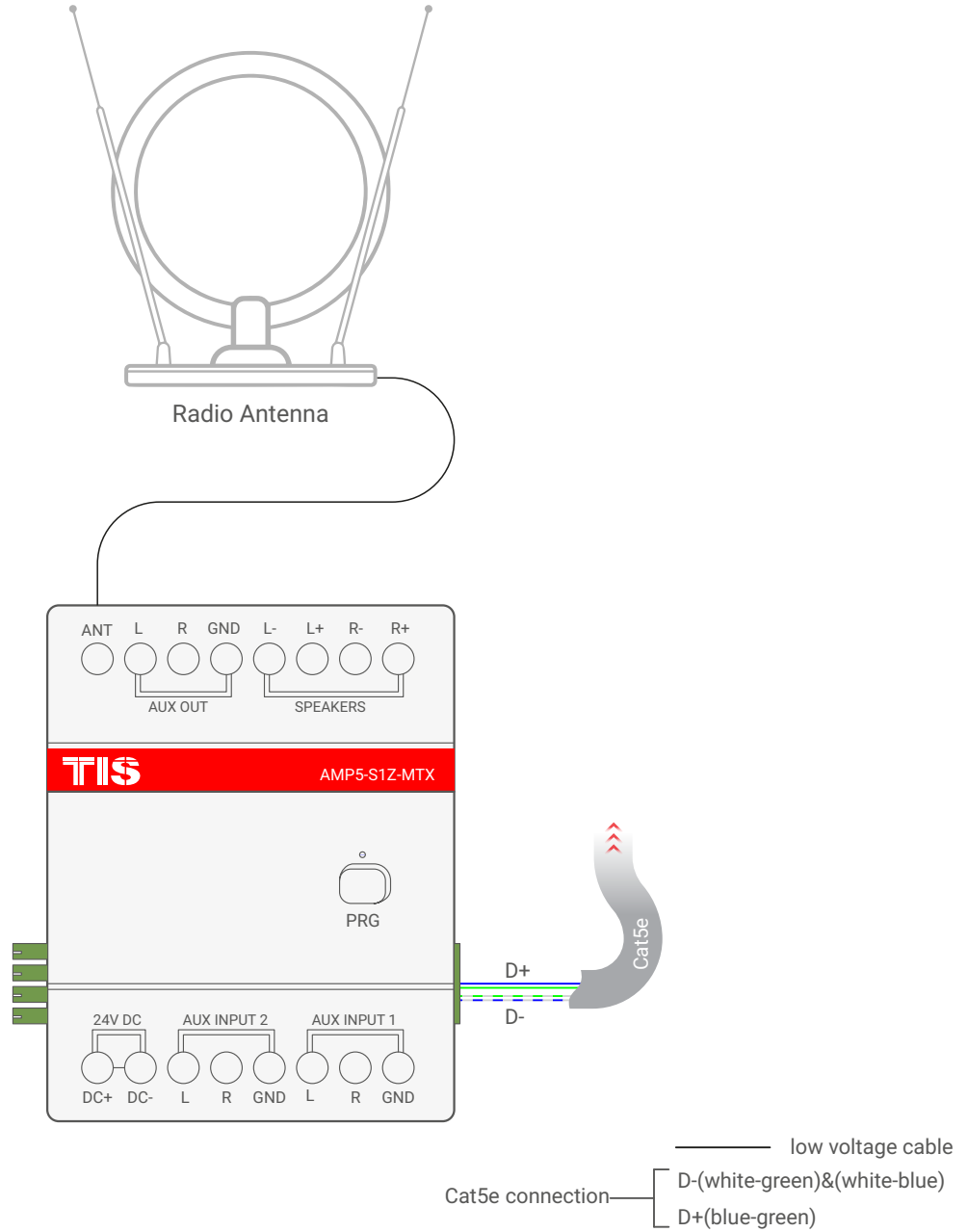
TIS CONTROL TÜRKİYE  
DEMİRCİKARA MAH. B. ONAT CAD.  
1419.SK OCEAN CITY SİTESİ B BLOK  
KAT:2 D:3 MURATPASA/ANTALYA

# TIS SES SİSTEMİ

Oynatıcı / Ampli 5 Kaynaklı Ses Oynatıcısı

Model: AMP-5S1Z-MTX

# TIS



## ▲ Radyo Anteni Bağlantı Diyagramı

# TIS

Copyright © 2020 TIS, All Rights Reserved

TIS Logo is a Registered Trademark of Texas Intelligent System LLC in the United States of America. This company takes TIS Control Ltd. in other countries. All of the Specifications are subject to change without notice.

TEXAS INTELLIGENT SYSTEM LLC  
SUITE# 610, 860 NORTH DOROTHY DR  
RICHARDSON  
TX 75081.USA

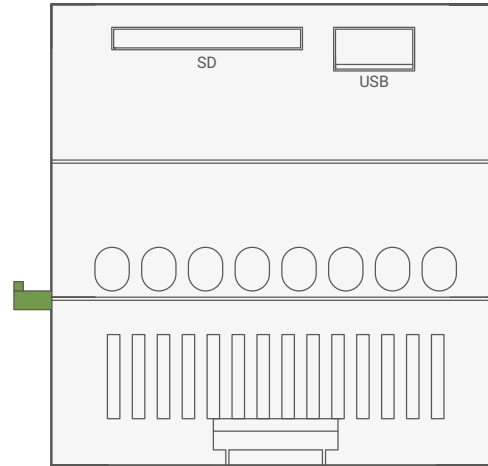
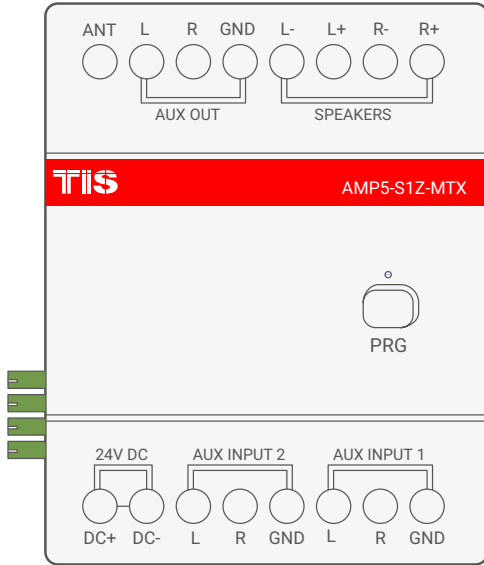
TIS CONTROL TÜRKİYE  
DEMİRCİKARA MAH. B. ONAT CAD.  
1419.SK OCEAN CITY SİTESİ B BLOK  
KAT:2 D:3 MURATPAŞA/ANTALYA

# TIS SES SİSTEMİ

Oynatıcı / Amfili 5 Kaynaklı Ses Oynatıcısı

Model: AMP-5S1Z-MTX

# TIS



## ▲ SD ve USB Cihaz Girişleri

# TIS

Copyright © 2020 TIS, All Rights Reserved  
TIS Logo is a Registered Trademark of Texas Intelligent System LLC in the United States of America. This company takes TIS Control Ltd. in other countries. All of the Specifications are subject to change without notice.

TEXAS INTELLIGENT SYSTEM LLC  
SUITE# 610. 860 NORTH DOROTHY DR  
RICHARDSON  
TX 75081.USA

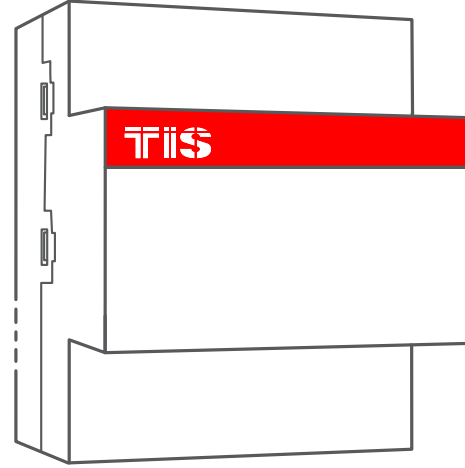
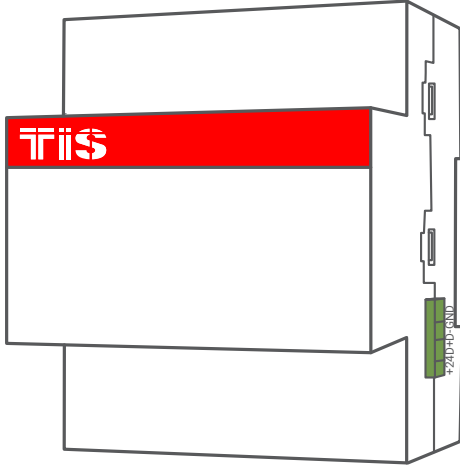
TIS CONTROL TÜRKİYE  
DEMİRCİKARA MAH. B. ONAT CAD.  
1419.SK OCEAN CITY SİTESİ B BLOK  
KAT:2 D:3 MURATPAŞA/ANTALYA

# TIS SES SİSTEMİ

Oynatıcı / Amfli 5 Kaynaklı Ses Oynatıcısı

Model: AMP-5S1Z-MTX

# TIS



## ▲ DIN-Ray Bus Modül Bağlantı Şekli

# TIS

Copyright © 2020 TIS, All Rights Reserved

TIS Logo is a Registered Trademark of Texas Intelligent System LLC in the United States of America. This company takes TIS Control Ltd. in other countries. All of the Specifications are subject to change without notice.

TEXAS INTELLIGENT SYSTEM LLC

SUITE# 610, 860 NORTH DOROTHY DR  
RICHARDSON  
TX 75081.USA

TIS CONTROL TÜRKİYE

DEMİRCİKARA MAH. B. ONAT CAD.  
1419.SK OCEAN CITY SİTESİ B BLOK  
KAT:2 D:3 MURATPAŞA/ANTALYA

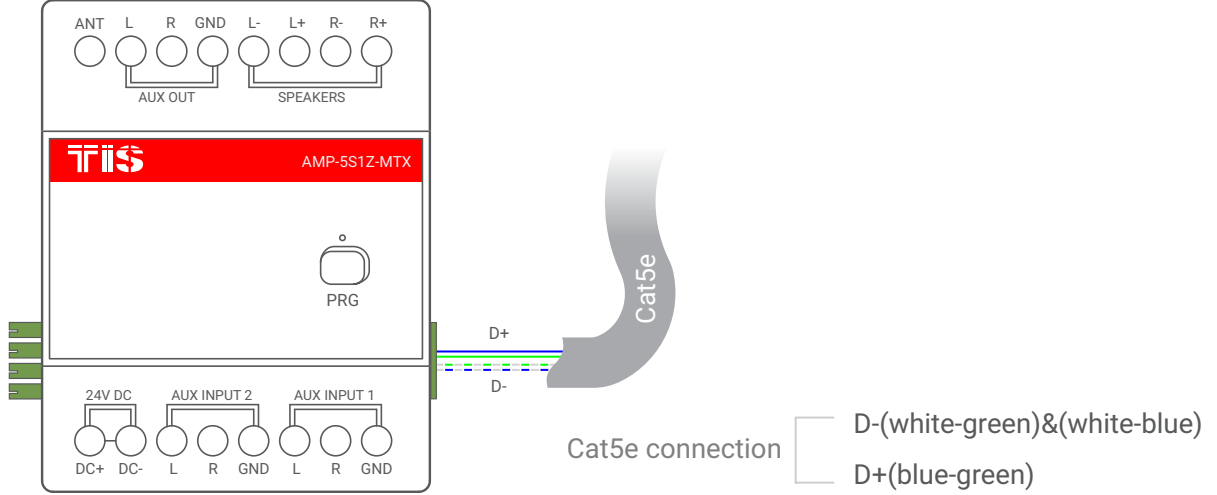


# TIS SES SİSTEMİ

Oynatıcı / Amfili 5 Kaynaklı Ses Oynatıcısı

Model: AMP-5S1Z-MTX

# TIS



## ▲ Bus Bağlantı Renk Kodları

# TIS

Copyright © 2020 TIS, All Rights Reserved

TIS Logo is a Registered Trademark of Texas Intelligent System LLC in the United States of America. This company takes TIS Control Ltd. in other countries. All of the Specifications are subject to change without notice.

TEXAS INTELLIGENT SYSTEM LLC

SUITE# 610. 860 NORTH DOROTHY DR  
RICHARDSON  
TX 75081.USA

TIS CONTROL TÜRKİYE

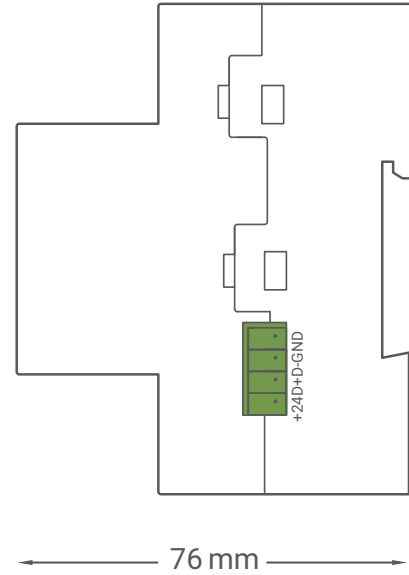
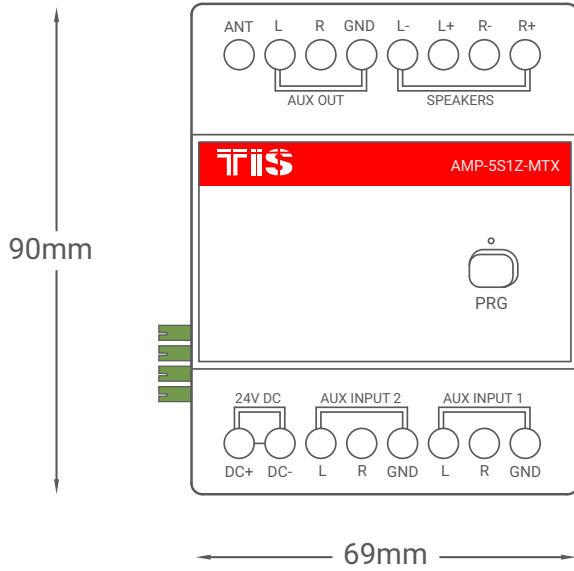
DEMİRCİKARA MAH. B. ONAT CAD.  
1419.SK OCEAN CITY SİTESİ B BLOK  
KAT:2 D:3 MURATPAŞA/ANTALYA

# TIS SES SİSTEMİ

Oynatıcı / Amfli 5 Kaynaklı Ses Oynatıcısı

Model: AMP-5S1Z-MTX

# TIS



## ▲ Modül Boyutları

# TIS

Copyright © 2020 TIS, All Rights Reserved

TIS Logo is a Registered Trademark of Texas Intelligent System LLC in the United States of America. This company takes TIS Control Ltd. in other countries. All of the Specifications are subject to change without notice.

TEXAS INTELLIGENT SYSTEM LLC

SUITE# 610, 860 NORTH DOROTHY DR  
RICHARDSON  
TX 75081.USA

TIS CONTROL TÜRKİYE

DEMİRCİKARA MAH. B. ONAT CAD.  
1419.SK OCEAN CITY SİTESİ B BLOK  
KAT:2 D:3 MURATPAŞA/ANTALYA