

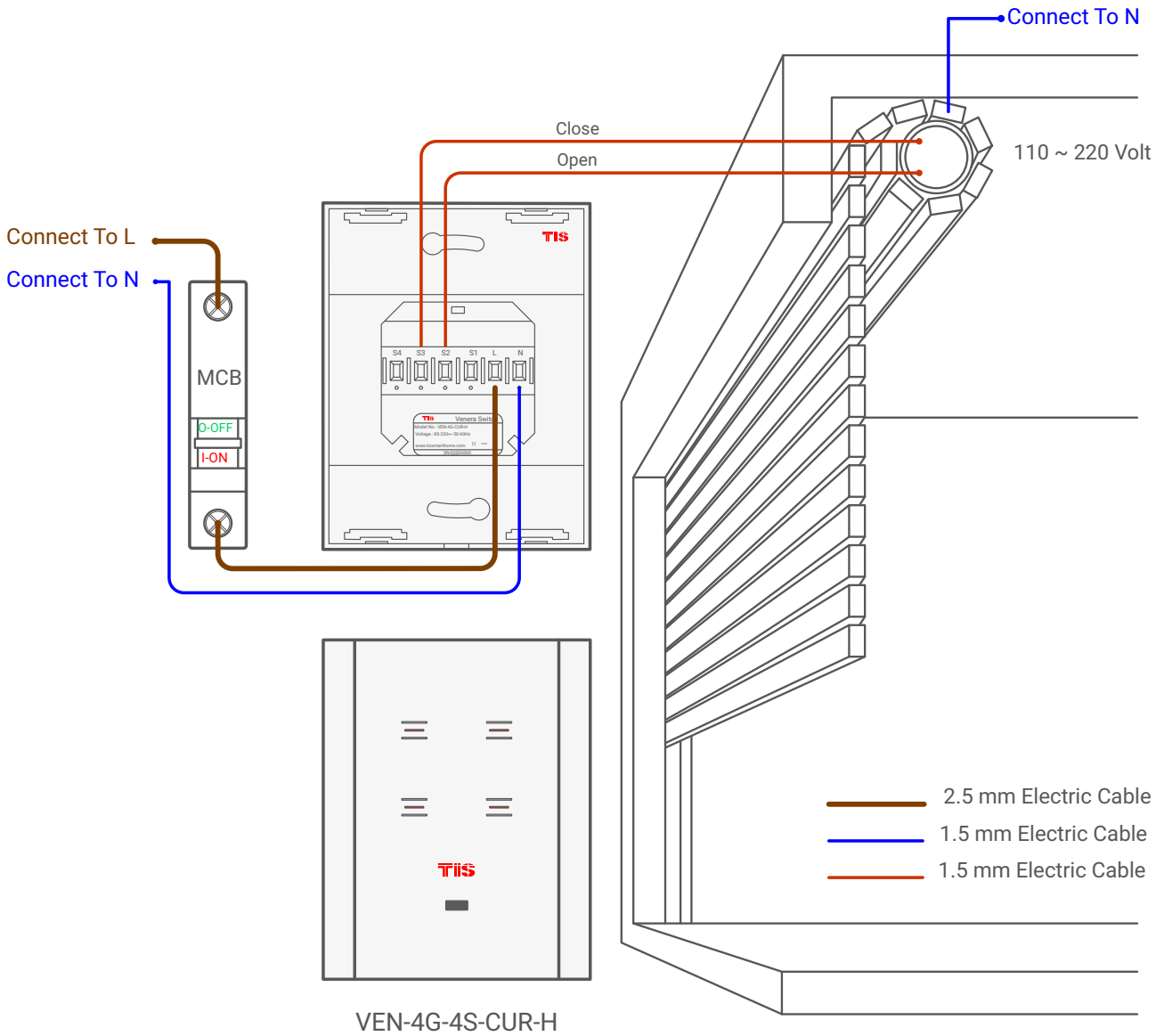
▲ VEN-4G-4S-CUR-H Aydınlatma Bağlantı Diyagramı

VENERA DOKUNMATİK PANEL

VENERA 4 Butonlu Panel

Model: VEN-4G-4S-CUR-H

TIS



▲ VEN-4G-4S-CUR-H Motor Bağlantı Diyagramı

TIS

Copyright © 2020 TIS, All Rights Reserved

TIS Logo is a Registered Trademark of Texas Intelligent System LLC in the United States of America. This company takes TIS Control Ltd. in other countries. All of the Specifications are subject to change without notice.

TEXAS INTELLIGENT SYSTEM LLC

SUITE# 610, 860 NORTH DOROTHY DR
RICHARDSON
TX 75081,USA

TIS CONTROL TÜRKİYE

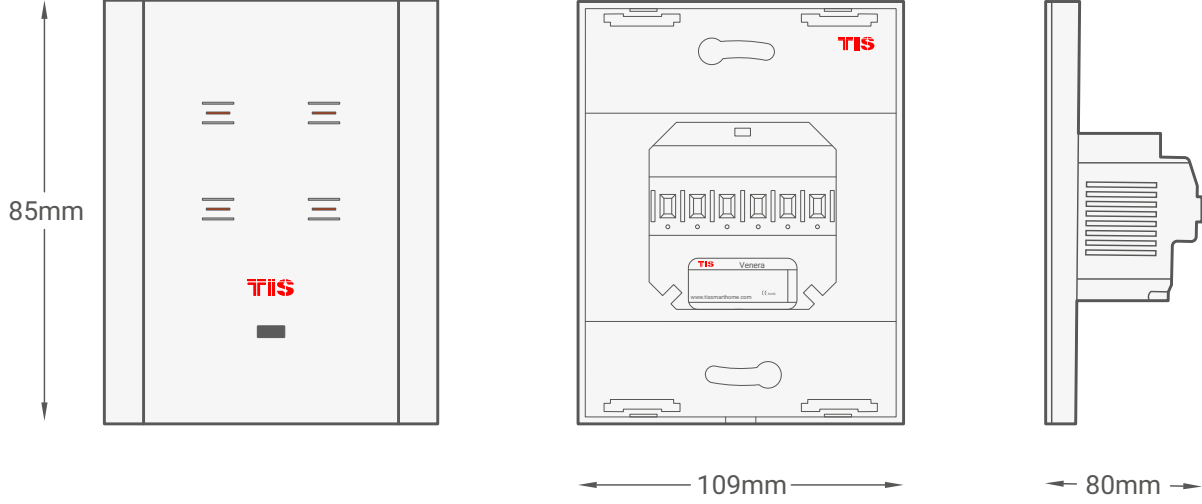
DEMİRCİKARA MAH. B. ONAT CAD.
1419.SK OCEAN CITY SİTESİ B
cBLOK KAT:2 D:3 MURATPAŞA/
ANTALYA

VENERA DOKUNMATİK PANEL

VENERA 4 Butonlu Panel

Model: VEN-4G-4S-CUR-H

TIS



▲ Modül Boyutları

TIS

Copyright © 2020 TIS, All Rights Reserved

TIS Logo is a Registered Trademark of Texas Intelligent System LLC in the United States of America. This company takes TIS Control Ltd. in other countries. All of the Specifications are subject to change without notice.

TEXAS INTELLIGENT SYSTEM LLC

SUITE# 610. 860 NORTH DOROTHY DR
RICHARDSON
TX 75081.USA

TIS CONTROL TÜRKİYE

DEMİRCİKARA MAH. B. ONAT CAD.
1419.SK OCEAN CITY SİTESİ B
cBLOK KAT:2 D:3 MURATPASA/
ANTALYA