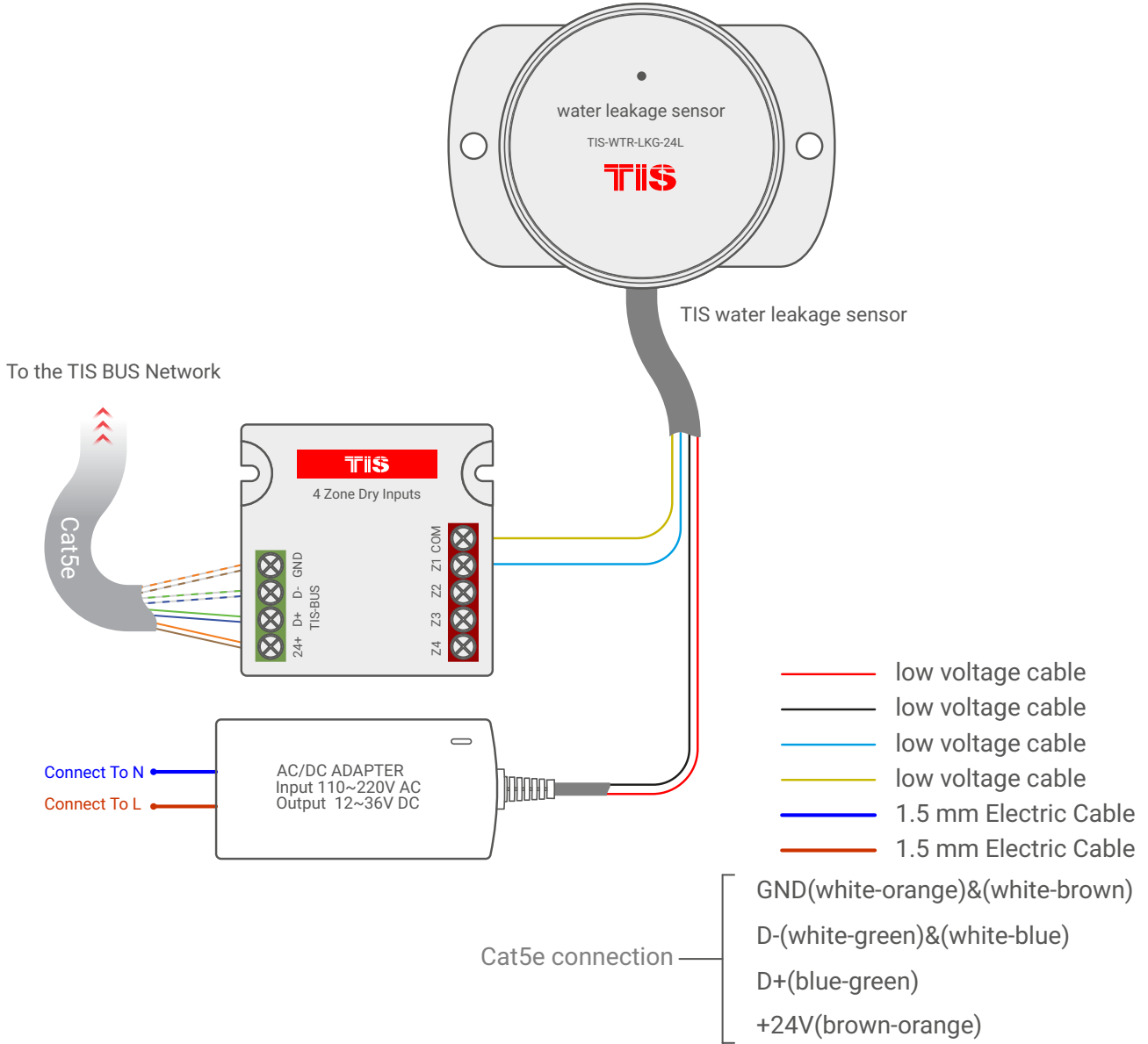


TIS SU SIZINTI SENSÖRÜ

Model: TIS-WTR-LKG-24L

Ürün Diyagramı 1.1

TIS



▲ 4-Kuru Kontak Girişi ve TIS Su Sızıntı Sensörü Bağlantı Diyagramı

TIS

Copyright © 2020 TIS, All Rights Reserved

TIS Logo is a Registered Trademark of Texas Intelligent System LLC in the United States of America. This company takes TIS Control Ltd. in other countries. All of the Specifications are subject to change without notice.

TEXAS INTELLIGENT SYSTEM LLC

SUITE# 610, 860 NORTH DOROTHY DR
RICHARDSON
TX 75081,USA

TIS CONTROL TÜRKİYE

DEMIRCIKARA MAH. B. ONAT CAD.
1419.SK OCEAN CITY SITESİ B
cBLOK KAT:2 D:3 MURATPASA/
ANTALYA