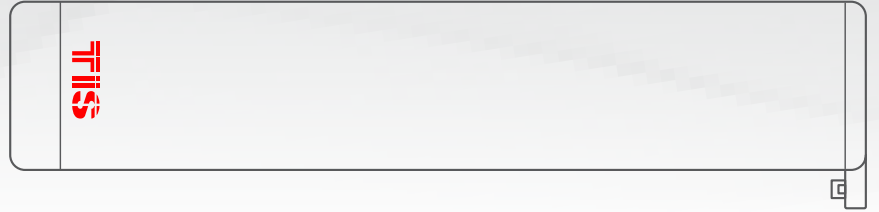


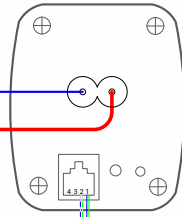
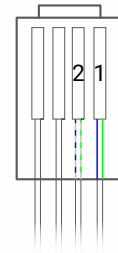
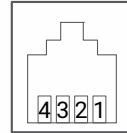


Connect To N

Connect To L



Socket RJ9



D-

D+

Cat5e

To the TIS BUS Network

— 2.5 mm Electric Wire

— 1.5 mm Electric Wire

Cat5e connection

D-(white-green)&(white-blue)

D+(blue-green)

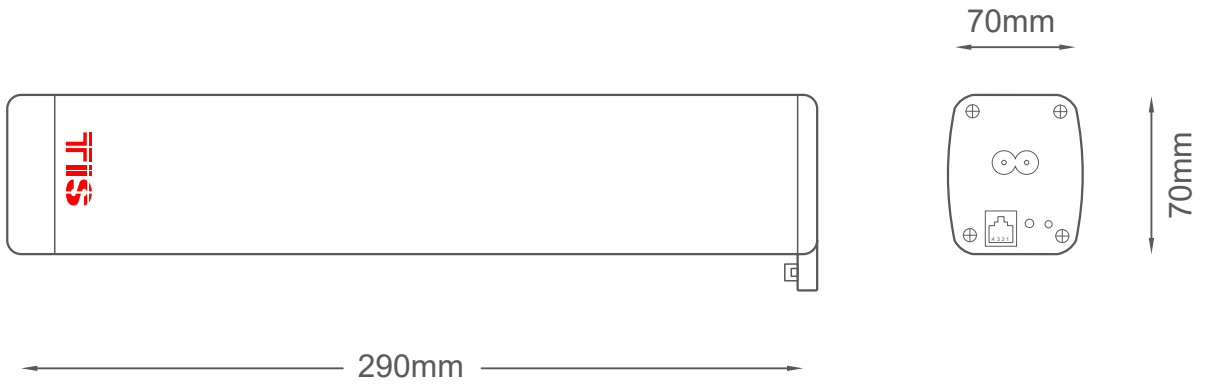
▲ Perde Motoru Bus Bağlantı Diyagramı

# TIS PERDE MOTORU

Yatay Perde Motoru

Model: TIS-M3-MOTOR

TIS



## ▲ Modül Boyutları

TIS

Copyright © 2020 TIS, All Rights Reserved

TIS Logo is a Registered Trademark of Texas Intelligent System LLC in the United States of America. This company takes TIS Control Ltd. in other countries. All of the Specifications are subject to change without notice.

TEXAS INTELLIGENT SYSTEM LLC

SUITE# 610. 860 NORTH DOROTHY DR  
RICHARDSON  
TX 75081.USA

TIS CONTROL TÜRKİYE

DEMİRCİKARA MAH. B. ONAT CAD.  
1419.SK OCEAN CITY SİTESİ B BLOK  
KAT:2 D:3 MURATPAŞA/ANTALYA