

## OVERVIEW

This module has 6 relays to control multiple fan speeds (low, medium, high), cooling, heating, and auxiliary contact. the auxiliary contact can be configured for both a dehumidifier and/or second heating/cooling pump.

The HVAC Module is also equipped with an external temperature sensor that helps when it's working with other wall thermostats. It can function as a stand-alone room heating calculator as well (it shows the average temperature in a room). This means that the HVAC Module installed in any room can be linked to the other room thermostat. As the result, both rooms are warmed based on their scale, and no one is overheated.

## KEY BENEFITS

- 👍 Control Fan Coil Unit
- 👍 Control 0-10V Valve
- 👍 6 Buttons for Manual ON/OFF
- 👍 External temperature sensor input
- 👍 DIY Programming

## KEY FEATURES

- ★ Standard 35 mm Din-Rail Mounted
- ★ Free Voltage output
- ★ 3A Current per channel
- ★ Reverse Polarity Protection
- ★ Works with TIS-BUS Protocol





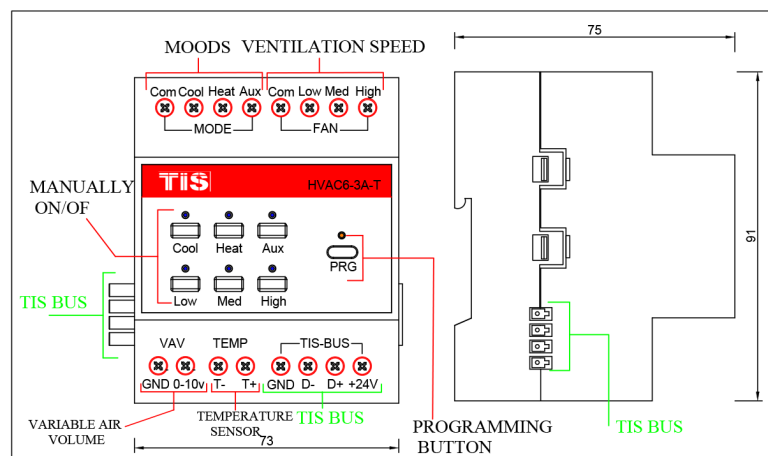
# TIS HVAC VAV Controller

## HVAC6-3A-T



### PRODUCT CHARACTERISTICS

	<b>Outputs switching Voltage</b>	Number of channels Nominal voltage VAV outputs	6 0 – 230 V AC 50/60 Hz 0-10V / 50mA
	<b>Output switching current</b>	Nominal current per channel Low current Air condition controllers Max switching current Max Continues current	3 A / 28 VDC 2 A / 230 VAC 3A/230 VAC 2A/230 VAC
	<b>Output service life</b>	Mechanical service life	> 5,000,000 Times
	<b>Output switching times</b>	Operating time Releasing time	10mS (at nomi. Volt) 10 mS (at nomi. Volt)
	<b>Inputs</b>	Temperature	Resistive temperature sensor
	<b>Reaction time</b>		approx. 20ms
	<b>Function programmable options</b>	Cool, Heat, Aux Fan speed control VAV 0-10V Look the buttons Programming	Cool, Heat, Aux programmable outputs Low, Medium, High linked outputs Can set any voltage for Low, Med & High Can look the Module buttons or unlock it. DIY Manual Programming with TIS Panel
	<b>Mounting</b>	Din rail Wall mount	Standard 35 mm Din rail screw holder on the back of the module
	<b>Connection terminal</b>	Load and Power Data / bus	Screw terminal 0,25...4mm <sup>2</sup> Male/female connectors link + screw terminal
	<b>Weight</b>	Without packaging	0.25 KG
	<b>Dimensions</b>	Width x length x height	90mm x 73mm x 76mm
	<b>Housing</b>	Materials Casing color IP rating	ABS anti fire Black Gray IP 20
	<b>Temperature range</b>	Operation Storage Transport	-30...60°C -20...60°C -30...75°C
	<b>Air humidity</b>		<85% non-condensing



Copyrights©2018, TIS. All Rights Reserved.  
Tis Logo Is Registered Trademark In The United States Of Texas Intelligent System Llc, And In Other Countries Of Tis Control Limited. All Specification Is Subject To Change Without Notice

Texas Intelligent System LLC  
Suite# 610, 860 North Dorothy Dr  
Richardson TX 75081, USA

TIS Control Limited  
RM 1502-p9 Easey CommBldg  
253-261 Hennessy Rd Wanchai  
Hong Kong